

Bull Dog Power Products
13435 Industrial Park Blvd.
Minneapolis, MN 55441
1-877-992-7637 Fax 1-877-927-6370

WorkLight Owner's Manual

Model No.s

BD -3U	#P11015
BD - 5U	#P11018
BD - 8U	#P11020
BD - 8UD	#P11025
BD - 8UND	#P11027

SAFETY INSTRUCTIONS **SAVE THESE INSTRUCTIONS**

DANGER: NOT INTENDED FOR USE IN POTENTIALLY EXPLOSIVE ENVIRONMENTS and should not be used near combustibles such as flammable paints solvents, thinners and fumes. THIS LIGHT IS NOT A VAPOR PROOF LIGHTING FIXTURE.

WARNING: When using outdoor portable lamps, basic safety precautions should always be followed to reduce the risk of **fire, electric shock or personal injury.** Failure to comply with these instructions could result in **personal injury, death or property damage.** This product was designed for normal open - air use

1. Inspect and repair any worn or damaged parts prior to using. Any worn, cracked or damaged part such as cords, guards or lenses are to be replaced immediately.
2. **Lighted lamp is hot! Do not touch guard or lamp when light is lit. Allow to cool before handling.**
3. To avoid risks of burns or injury, power must be disconnected and let unit cool down before changing lamp or performing any maintenance on this product. **All repairs are to be completed with identical replacement parts from Bull Dog Power Products.**
4. **NEVER TOUCH THE LAMP WITH BARE HAND.** The contaminated lamp will have reduced life and may shatter while in use. Use clean gloves or cloth to hold the lamp during installation.
5. Use only lamps rated for this fixture. (500 watt Type J T-3 Bulb)
6. The fixture and telescopic pole will conduct electricity. **Use extreme caution to avoid contact with electric wiring and foreign objects.** Fixture to be no closer than two (2) feet from overhead surfaces.
7. **Risk of fire or injury to persons.** Keep fixture at least Twenty-Four (24) inches away from combustible materials such as curtains, draperies, cloth/fabric, paper or wood.
8. Use a Ground Fault Interrupter Circuit under all wet or damp conditions.
9. Halogen Lamps operate under high pressure and may shatter, protective lens and Guard must be in place at all times.
10. Plug into standard AC (alternating current) outlet only.
11. Use only outdoor extension cords that have a three prong ground plug, and use only matching grounded receptacles that accept the plug and have a Ground Fault Interrupter Circuit (GFCI).
12. Use only with an extension cord designated for outdoor use with SW, SW-A, SOW, SOW-A, STW, STW-A, STOW, STOW-A, SJW, SJW-A, SJTOW, SJTOW-A
13. **Do not** use multiple extension cords.
14. **Do not** use with extension cord near water or where water may accumulate. **DO NOT SUBMERSE.**
15. Keep light a minimum of sixteen (16) feet from pools or spas.
16. When using in windy conditions, support legs with sandbags.
17. When lamp is lit, do not look directly into lighted lamp.
18. Use caution when adjusting light head to prevent burns - do not touch light fixture, lens or guard, they are extremely hot, use handle to adjust the direction of light fixture.
19. Be careful to not trip over power cord when plugged in.
20. Be sure light has cooled before storing.
21. When setting up stand of light, be careful of pinch points. Set on stable level surface.
22. **Do not** pull on power cord to move light.

WARNING: Handling the cord on this product will expose you to lead, a chemical known to the State of California as a risk to cause cancer, birth defects or other reproductive harm. Wash hands after handling.

LIFETIME LIMITED WARRANTY

Warner Manufacturing Company warrants this light against all manufacturing defects in material or workmanship that occur under normal use. For details call 877-992-7637 or visit us on the web at www.bulldogpower.com

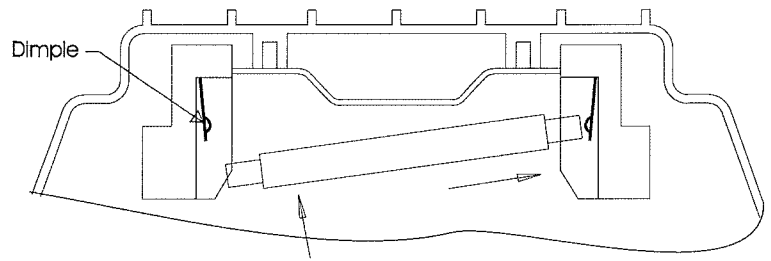
Lamp Installation on all Light models

CAUTION: Do not touch the bulb with bare hands. Use clean gloves or cloth to hold bulb during installation.

1. Let fixture cool for 10 minutes before changing bulb
2. Open fixture to gain access to bulb.
3. Remove old bulb carefully and dispose of properly.
4. Insert one end of bulb into ceramic socket, then pushing gently against inserted end, slide other end into place.

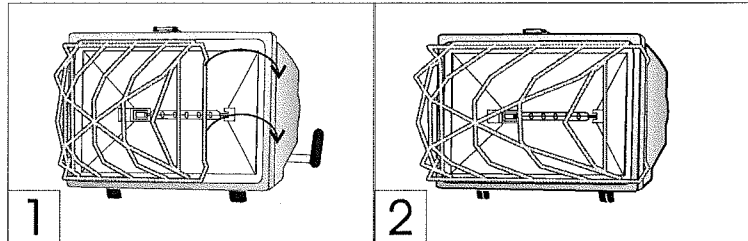
Note: Each end of bulb must be placed on the dimples of the electrical contacts for the bulb to light.

5. Close fixture and install guard.



Guard Installation on all Light models

1. Attach one end of guard behind lens frame.
2. Snap other end into place.

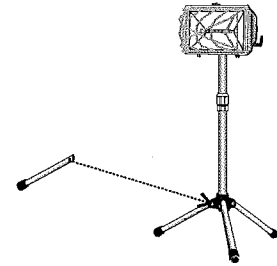


CAUTION: Halogen Lamps operate under high pressure and may shatter, protective lens and Guard must be in place at all times.

Leg Installation for Models BD - 3U and BD - 5U

1. Place one leg between mounting bracket and align holes.
2. Insert one bolt through holes and tighten nut.
3. Repeat for other two legs.

NOTE: Legs should fold down when properly installed.



Lightbar Installation for Model BD - 8UD

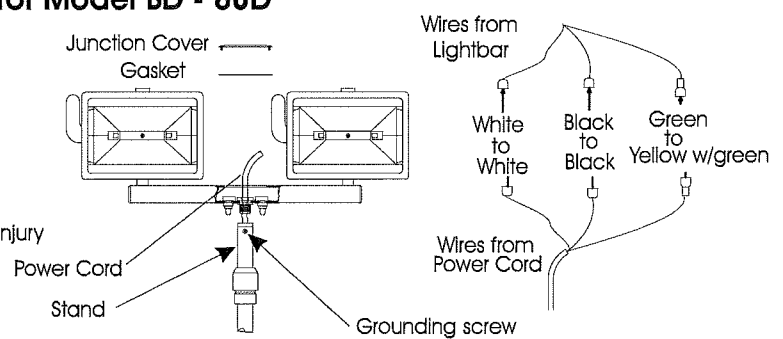
Warning: Do not attempt to connect lightbar with Power Cord plugged into any power source.

1. Set stand up and lock legs into position
2. Remove junction cover and gasket from lightbar
3. Run power cord from stand through bottom of light bar and out the top.
4. Turn the lightbar clockwise to thread into top of stand
5. Tighten grounding screw on stand.

WARNING: Improper grounding may result in fire, electric shock or personal injury

6. Make wire connections following the diagram at right.
7. Gently push the wires back into lightbar and install gasket and junction cover.

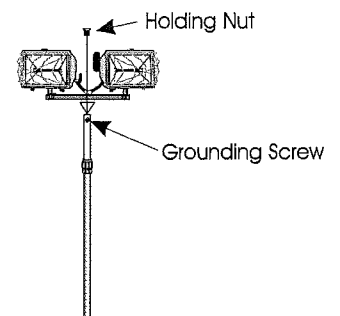
8. Proceed to Lamp and Guard Installation instructions



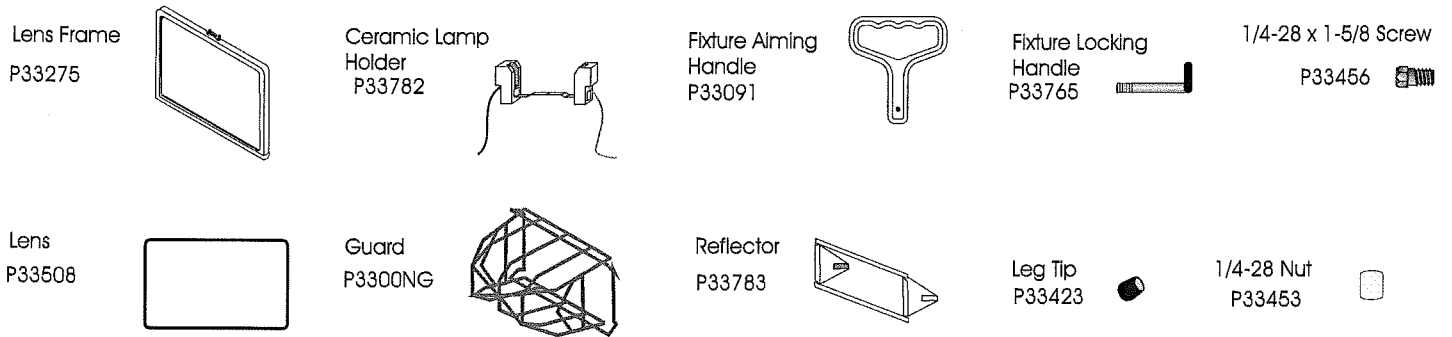
Lightbar Installation for Model BD - 8UND

1. Set stand up and lock legs into position
2. Align hole in Lightbar with top of stand.
3. Thread holding nut into top of stand.
4. Tighten grounding screw on stand.

WARNING: Improper grounding may result in fire, electric shock or personal injury



Replacement parts common to all Light Models



Replacement parts for each Light Model

